

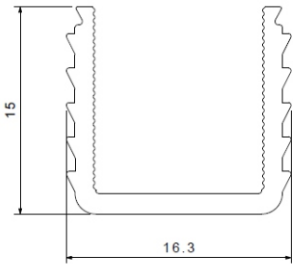
X-LED TLE / tape light with PUR encapsulation

Scope of supply:

- Feasibility study
- Preliminary Design / Engineering
- Planning / Development
- Static analysis
- LED components / Hardware / Software
- Substructure / Mounting
- Assembly / Supervision

USP's:

- low self-weight
- no additional aluminum cooling profile needed
- 3D-modeling
- video compatible
- flexible sub-structure / primary structure
- easy material handling and installation



← Remark:
 The geometry of the PUR encapsulation
 can be customized as well



— XLED-TLE-B-T-RGB

— XLED-TLE-B-C-RGB

— XLED-TLE-W-T-RGB

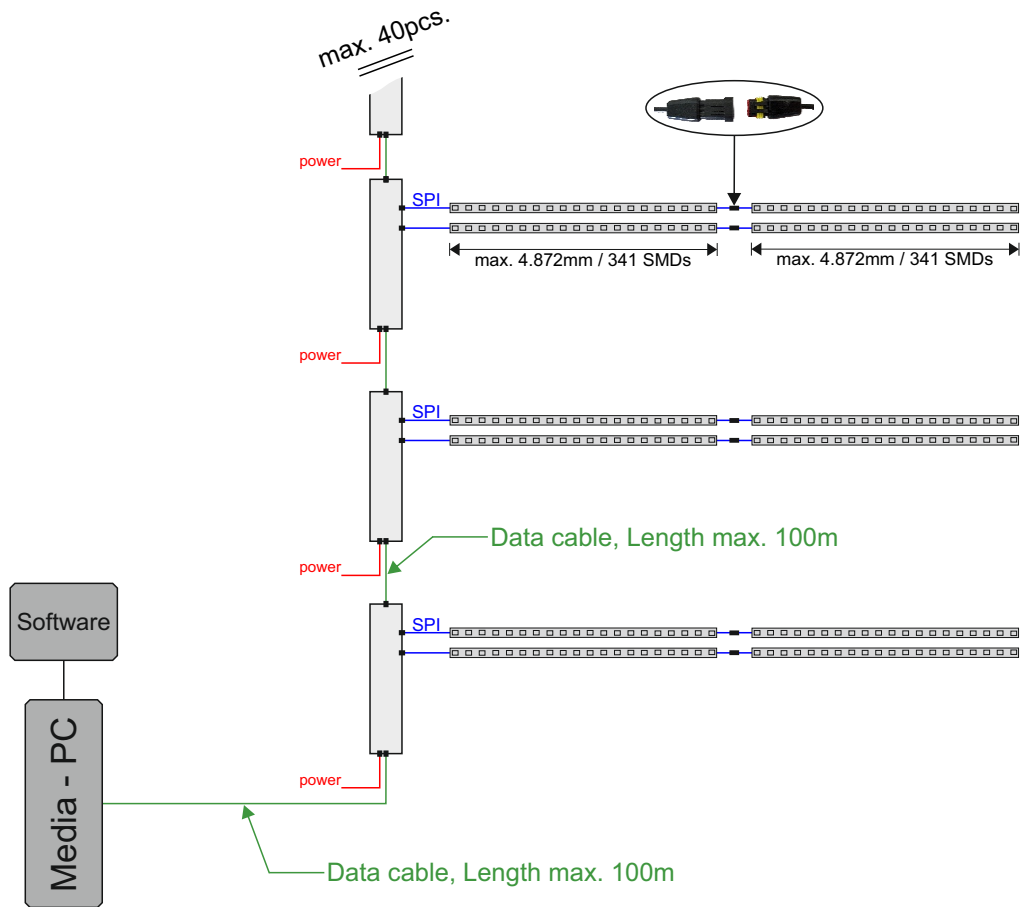
— XLED-TLE-W-C-RGB

PHOTOMETRIC DATA	XLED-TLE-B-T-RGB	XLED-TLE-W-T-RGB	XLED-TLE-B-C-RGB	XLED-TLE-W-C-RGB
Dominant wavelength	631nm; 515nm; 466nm	631nm; 515nm; 461nm	632nm; 521nm; 463nm	632nm; 521nm; 463nm
Light color	RGB	RGB	RGB	RGB
Luminous Flux per meter	W: 203lm/m R: 64lm/m G: 148lm/m B: 42lm/m	W: 203lm/m R: 64lm/m G: 148lm/m B: 42lm/m	W: 275lm/m R: 94lm/m G: 197lm/m B: 49lm/m	W: 275lm/m R: 94lm/m G: 197lm/m B: 49lm/m
Number of LED per meter	70	70	70	70
Pitch	14,3mm	14,3mm	14,3mm	14,3mm
Beam angle	120°	120°	120°	120°
Estimated lifetime L80 at Ta<45°C	36000 hours	36000 hours	36000 hours	36000 hours

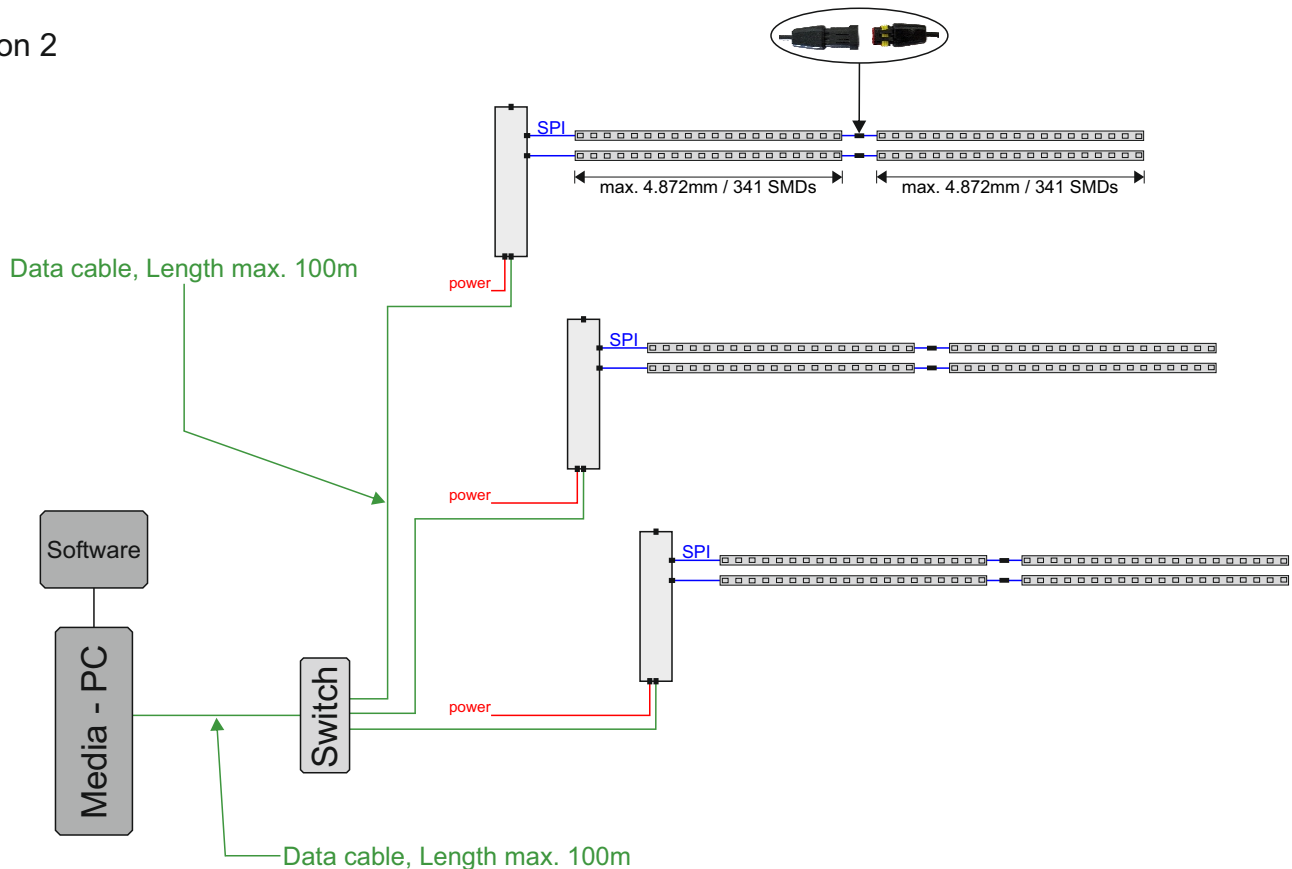
ELECTRICAL DATA	XLED-TLE-B-T-RGB	XLED-TLE-W-T-RGB	XLED-TLE-B-C-RGB	XLED-TLE-W-C-RGB
Voltage	24 VDC	24 VDC	24 VDC	24 VDC
Electrostatic discharge	800 V	800 V	800 V	800 V
Power per meter	12W/m	12W/m	12W/m	12W/m
Operating temperature	-20°C / + 50°C	-20°C / + 50°C	-20°C / + 50°C	-20°C / + 50°C
Storage temperature	-40°C / + 80°C	-40°C / + 80°C	-40°C / + 80°C	-40°C / + 80°C
Protection rating	IP67+	IP67+	IP67+	IP67+
Control protocol	SPI	SPI	SPI	SPI

MECHANICAL DATA	XLED-TLE-B-T-RGB	XLED-TLE-W-T-RGB	XLED-TLE-B-C-RGB	XLED-TLE-W-C-RGB
max. production length per unit	5033mm	5033mm	5033mm	5033mm
Width	16,3mm	16,3mm	16,3mm	16,3mm
Height	15mm	15mm	15mm	15mm
min. bending radius	200mm	200mm	200mm	200mm
Housing color	black	white	black	white

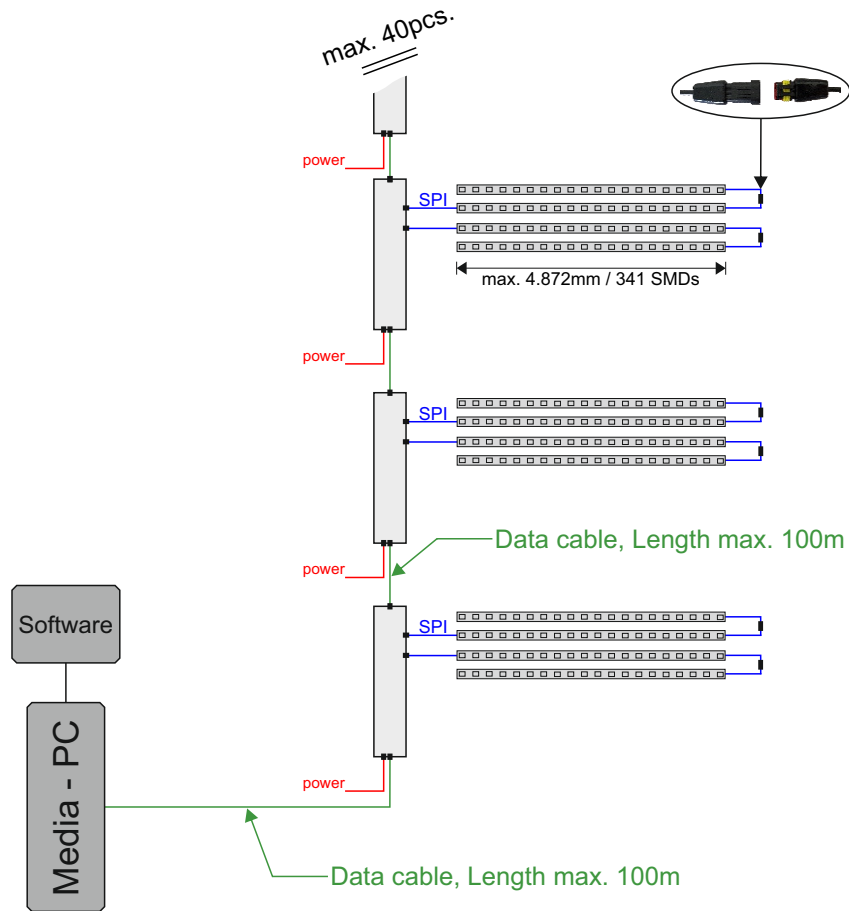
Option 1



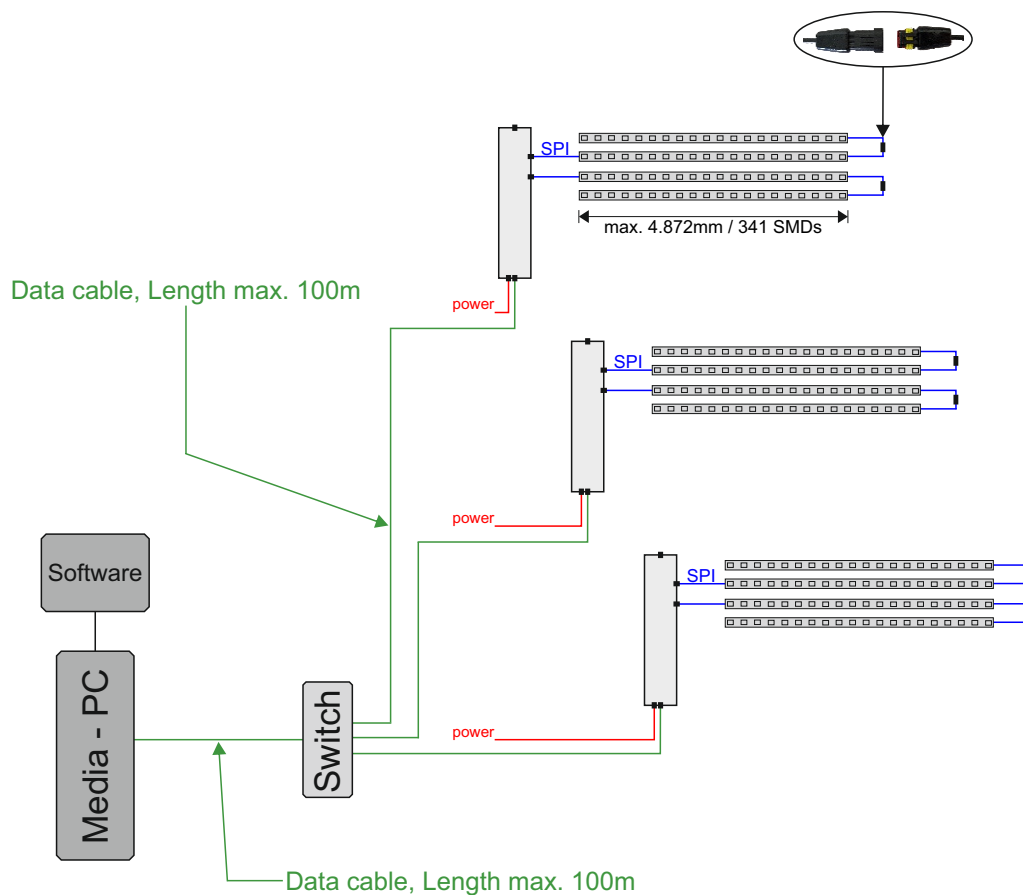
Option 2



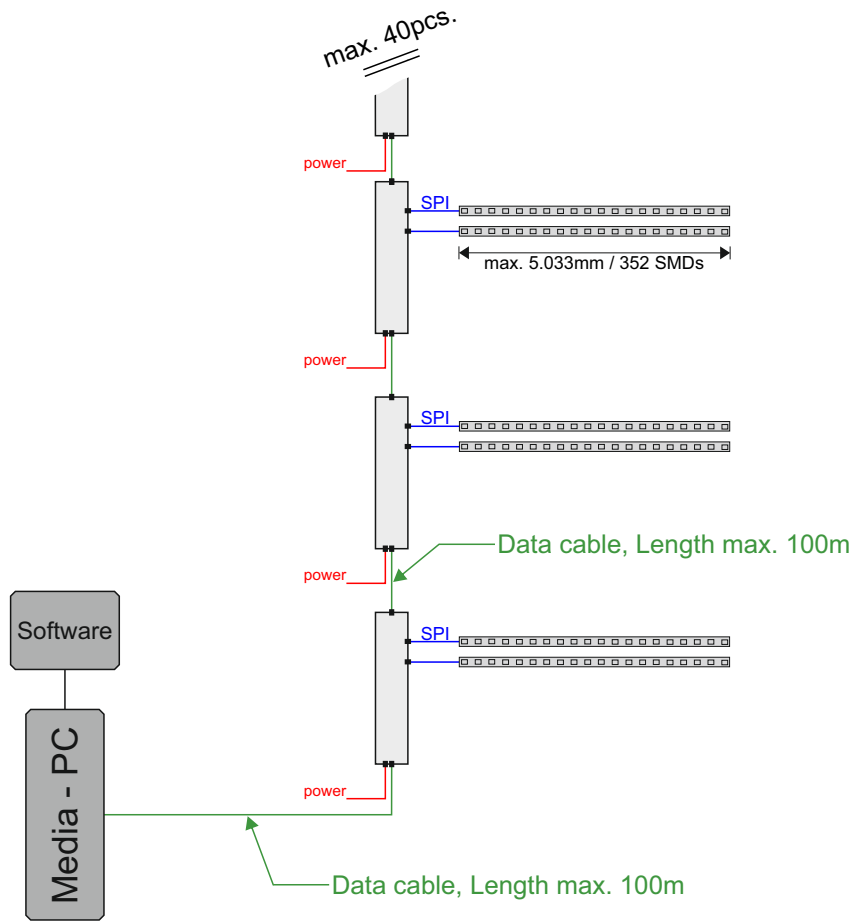
Option 3



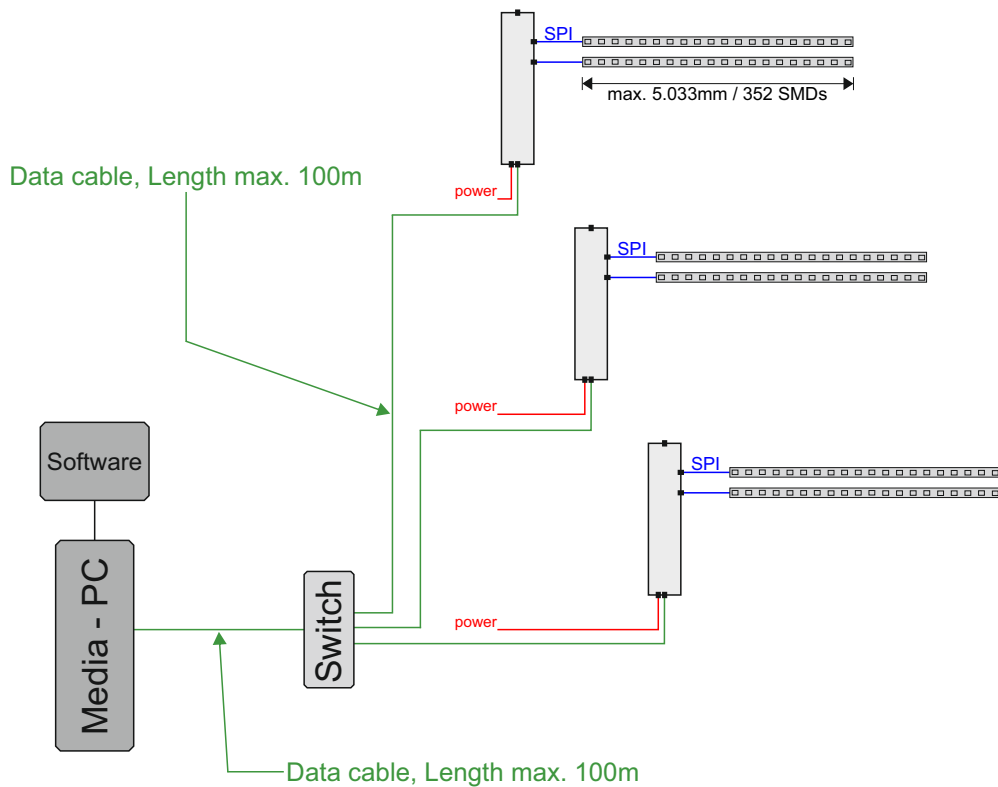
Option 4



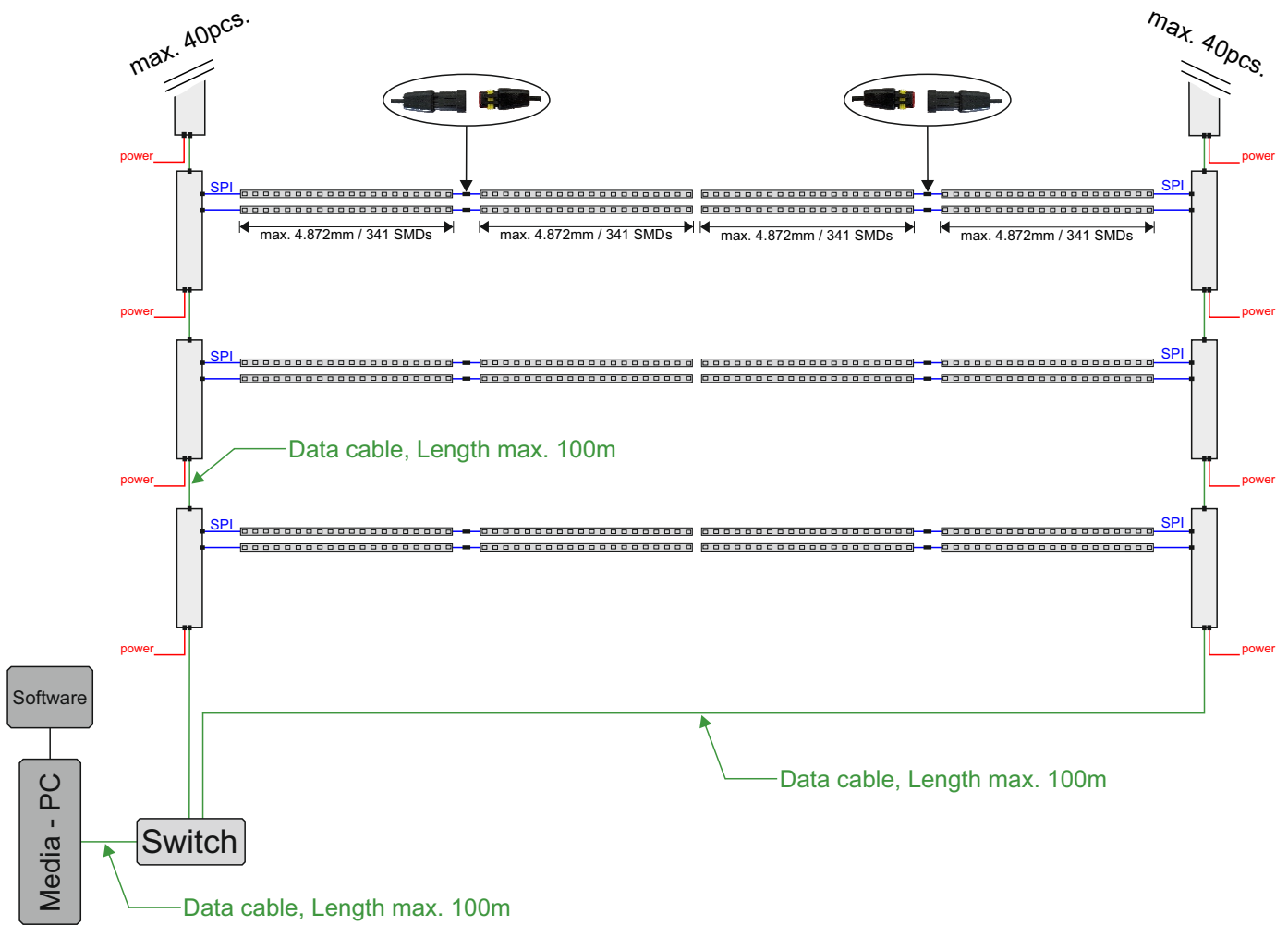
Option 5



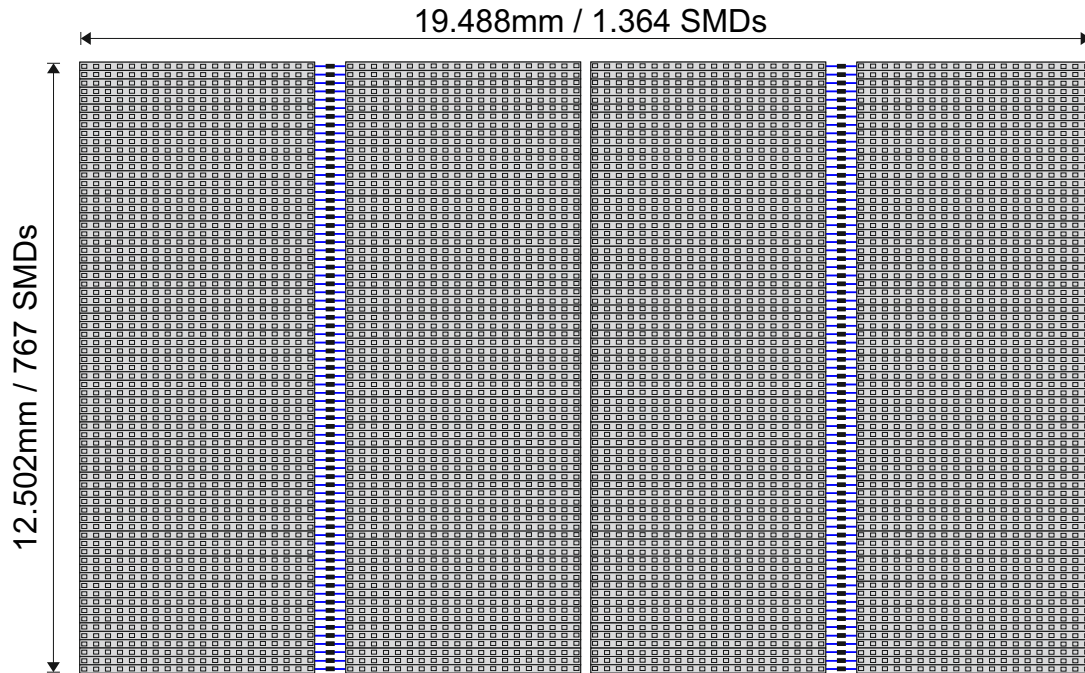
Option 6



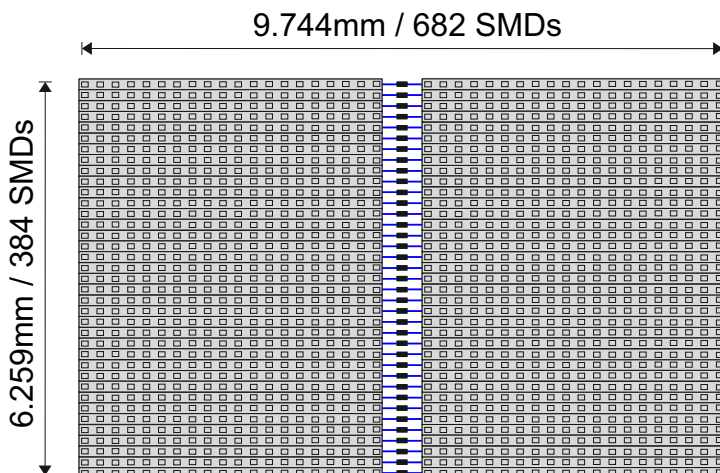
Option 7



Resolution: 16 : 9 // WXGA (Wide Extended Graphics Array)



Resolution: 16 : 9 // QHD (Quarter HD)





Main power	90 - 305 V AC
Power output	max. 163 W
Frequency	47-63 Hz
Pf	>0,95 / 230AC
Output voltage	24 V
Inrush	max. 65A / 230 V AC
Operating temperature	-20°C to +50°C
Protection level	IP65 - outdoor
Weight	2,8 kg
Control	SPI (Serial Peripheral Interface)
Housing	Aluminum, powder coated

